



Cover 1:
Cord Ivory

Dark Wood Feet

Champ Collection

Colours represented are to be used as a guide only.
Please refer to manufacturers swatch for a more accurate colour match.

Please note that colour shadings can vary slightly from each roll of fabric.
We cannot guarantee a precise match to these samples or between cut lengths and upholstered goods.

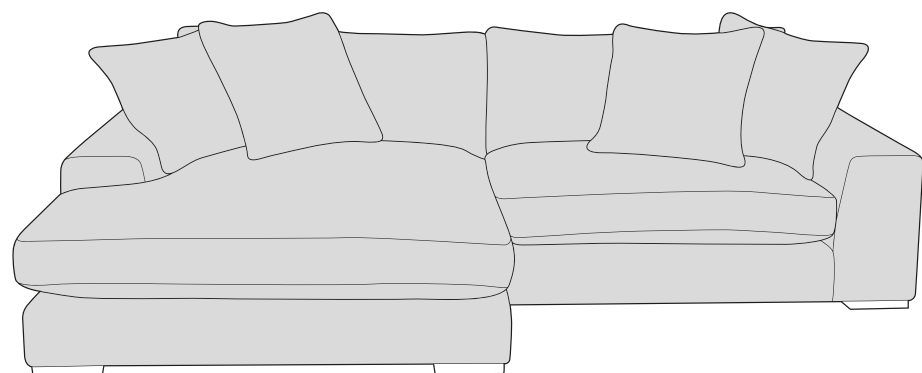
30/03/2021

CHAMP COVER GUIDE - STANDARD BACK

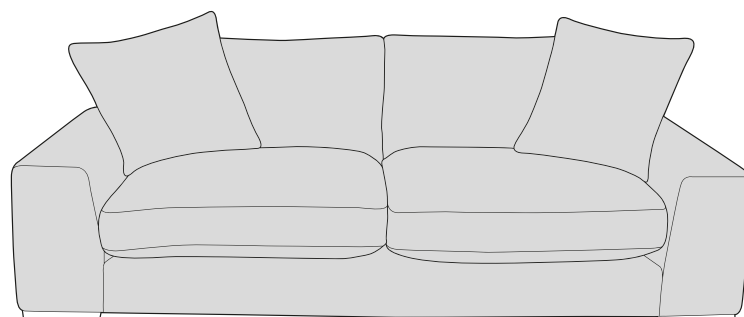
Please use this guide when ordering the following pieces to clarify cover options.

STANDARD BACK

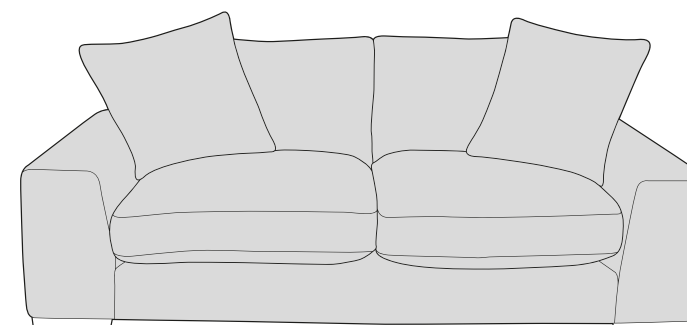
Chaise Sofa (L2/R2V/VP , R2/L2V/VP)



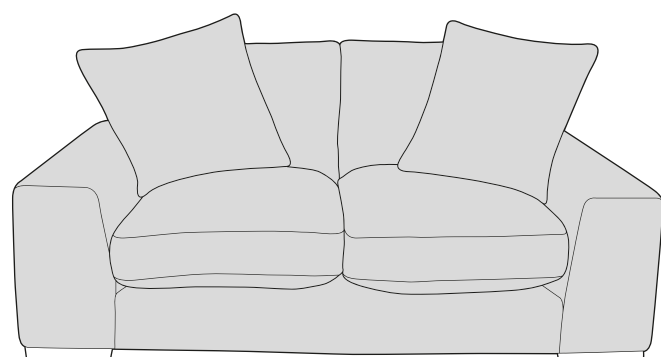
4 Seater Sofa (4ST)



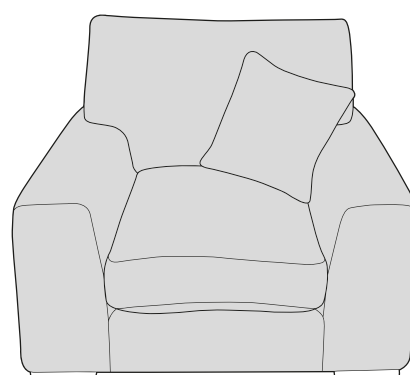
3 Seater Sofa (3ST)



2 Seater Sofa (2ST)

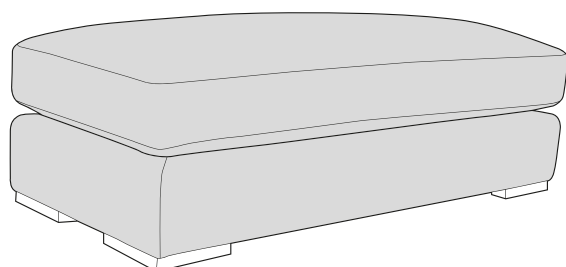


Arm Chair (1ST)

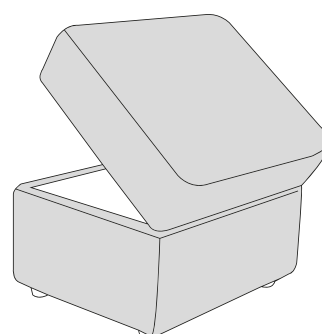


ACCENT PIECES

Large Footstool (FST)

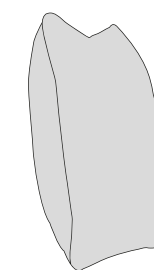


Storage Footstool (FST)



 **COVER 1**
(BODY &
SCATTERS)

Standard Back
Scatter Cushions



Front = Cover 1
Back = Cover1

CHAMP DIMENSIONS (CM)

| AVAILABLE PIECES | HEIGHT 1 | OUTBACK HEIGHT | WIDTH 2 | DEPTH 3 | ARM HEIGHT | SEAT HEIGHT | SEAT DEPTH (STD) 5 | SEAT DEPTH (PILLOW) 5 | SEAT WIDTH 6 | ACCESS DIAGONAL 7 | WEIGHT (KG) | PILLOW BACK NO. | SCATTER CUSHION NO. |
|----------------------|----------|----------------|---------|---------|------------|-------------|--------------------|-----------------------|--------------|-------------------|-------------|-----------------|---------------------|
| CHAISE SOFA | 90 | 65 | 280 | 166 | 55 | 49 | 128 | N/A | 226 | 175, 216 | 121.5 | N/A | 4 |
| 4 SEATER SOFA | 90 | 65 | 247 | 107 | 55 | 49 | 65 | N/A | 189 | 264 | 81 | N/A | 2 |
| 3 SEATER SOFA | 90 | 65 | 218 | 107 | 55 | 49 | 65 | N/A | 158 | 238 | 77 | N/A | 2 |
| 2 SEATER SOFA | 90 | 65 | 195 | 107 | 55 | 49 | 65 | N/A | 139 | 215 | 70 | N/A | 2 |
| ARM CHAIR | 90 | 65 | 108 | 107 | 55 | 49 | 65 | N/A | 60 | 149 | 47.5 | N/A | 1 |
| ACCENT PIECES | | | | | | | | | | | | | |
| LARGE FOOTSTOOL | 49 | N/A | 140 | 62 | N/A | 49 | 62 | N/A | N/A | 150 | 22 | N/A | N/A |
| STORAGE FOOTSTOOL | 43 | N/A | 63 | 50 | N/A | N/A | N/A | N/A | N/A | 75 | 13 | N/A | N/A |

- * Hardwood & composite board frame.
- * Dowelled, screwed, glued & stapled joinery.
- * Light & Dark Wood foot options.

- * Fibre filled high comfort reversible seat cushions.
- * Reversible fibre filled backs for added comfort.
- * Feather filled scatter cushions included.



- * Serpentine seat springs & silent wire.
- * Elasticated back webbing.

FIBRE FILLED SEATS

Fibre filled seat interior with a hand-rolled carded fibre that provides both comfort and a relaxed feel.

Excluding foam filled Large Swivel Chair, D Footstool & Storage Footstool.

CARE GUIDE

Fibre filled seat cushions should be plumped up on a regular basis to help maintain the aesthetic appeal of your upholstery, the plumping of cushions is essential to help retain the comfort and softness of any piece of upholstered furniture.

To improve the longevity of your hand-made furniture, we recommend rotating cushions (where applicable).

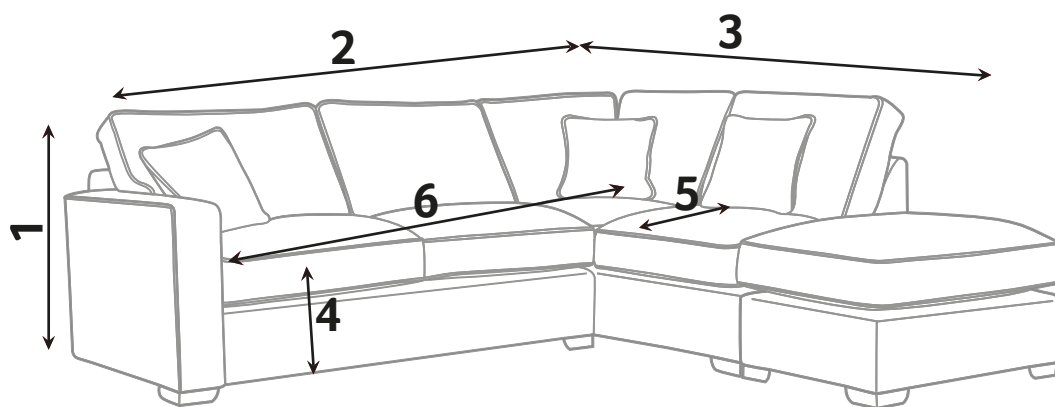
For further information on maintaining your furniture please refer to the care guide located under the seat platform.

FOOT OPTIONS:

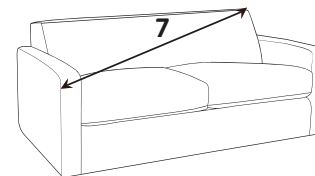


Wood is a natural product and will vary in shade/colour from item to item. Feet may require fitting.

DIMENSION GUIDE



Check the diagonal access dimension to ensure furniture will fit in your home.



- 1 - HEIGHT
- 2 - WIDTH
- 3 - DEPTH
- 4 - SEAT HEIGHT
- 5 - SEAT DEPTH (STD & PILLOW)
- 6 - SEAT WIDTH
- 7 - DIAGONAL ACCESS

Illustrations used for reference only.

Please note : All dimensions are approximate. Allow tolerance of +/- 2.5cm.



The mark of responsible forestry